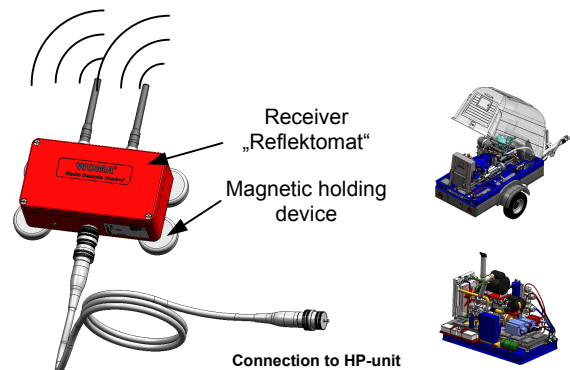
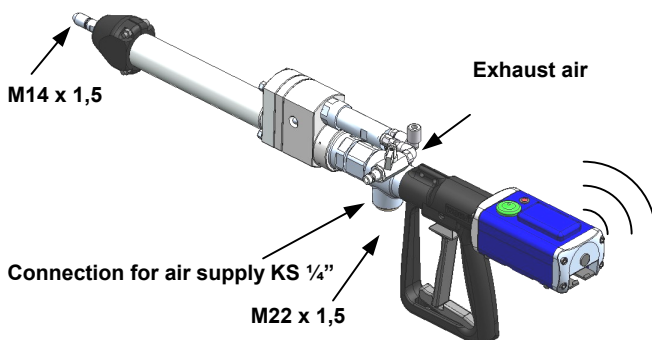


High-Pressure Gun HP1500RL-RC



Description:

The HP1500RL-RC is a high-pressure jetting gun equipped with a pneumatically driven rotary lead-through and a radio remote control. The radio remote control with safety function was specially designed for the professional and safe work with high-pressure units.

The composition of HP-Gun and nozzle carrier head represents a highly efficient water tool, which guarantees – depending on the rotation of the nozzle carrier head – a high surface treatment/cleaning rate.

The equipment includes the HP-gun with built-in transmitter, receiver „Reflektomat“, which is connected to the high-pressure unit by means of a cable, as well as two batteries and a battery charger. The equipment includes a safety lock, as well as a hand grip made of plastic and a pressure housing made of forged steel.

Radio technique:

Radio technique not subject to registration and non-chargeable in all EC countries and in Switzerland, other countries on request. Special receiving procedure to avoid radio interferences dependent on reflection.

Specially suited for operation in halls, tunnels, in city centres and densely built-up areas.

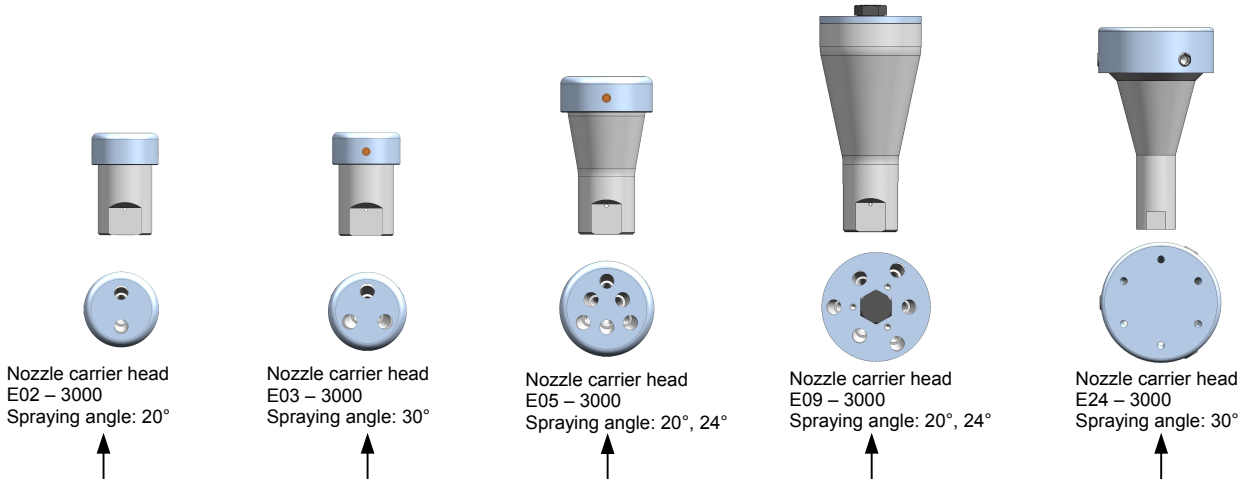
Special characteristics:

- Rotational speed adjustable by air pressure and quantity
- Low weight
- Compact design with small dimensions
- Optimum running qualities
- Parts under pressure made of high-tensile stainless steel
- Turnable hand grip for easy handling
- All moving parts are protected from dirt and water invasion

Technical Data:

Part No.:	001.1810
Operating pressure:	max. 1500 bar
Flow rate:	max. 25 l/min
Medium temperature:	max. +50 °C
Weight:	approx.. 5,50 kg
Working pressure of the air motor:	6,5 bar
Working pressure at working rpm:	0,16 kW 2500 1/min
Air consumption:	0,4 m ³ /min at 6,5 bar
Sense of rotation:	Clockwise in jet direction
Length:	approx. 850 mm
Width:	approx. 56 mm
Height:	approx. 200 mm
Permissible recoil force without body support:	max. 150 N
Permissible recoil force with body support:	max. 250 N

High-Pressure Gun HP1500RL-RC - Components



Nozzle carrier head			Weight
Part-No.:	Number of nozzles form 21 LL	Type-bar	kg
341.0585	2	E 02-3000	0,45
341.0586	3	E 03-3000	0,45
341.0583	3 or 6	E 05-2500	0,47
341.0584	3 or 6	E 09-3000	0,85
341.0305	3 or 6	E 24-3000	0,85

Hose connection	
Part-No.	A
010.7911	M22x1,5 24°DK
010.7912	M22x1,5 60°DK
010.7913	M24x1,5 24°DK
010.7914	G 1/2 A 60°DK
010.7915	G 3/4 A 60°DK

Turnable hose connection	
Part-No.:	B
011.1603	M22x1,5 24°DK
011.0716	M22x1,5 60°DK
011.0717	M24x1,5 24°DK
011.0718	G 1/2 60°DK

Operating information:

The air motor is only to be used with dry, clean and lubricated air.
Only fill up with pneumatic oil WOMA PN 400.0342 – viscosity class ISO VG 46 –.
The max. permitted air pressure of 6,5 bar has not to be exceeded.

Radio technique characteristics:

- Permission-free frequency in 70 cm volume
- Capacity of transmitter: 10 mW
- **Range: approx. 300 m**
- Supply voltage: 7,2 V changeable battery
- Battery charger: 115/230V AC
- Receiver degree of protection: IP65
- Voltageless potential-free relay contacts
- Supply voltage:: 12/24 V DC

